



Illustrated Parts List

Model Series

12L800

TYPE NUMBERS
0805 through 3104.

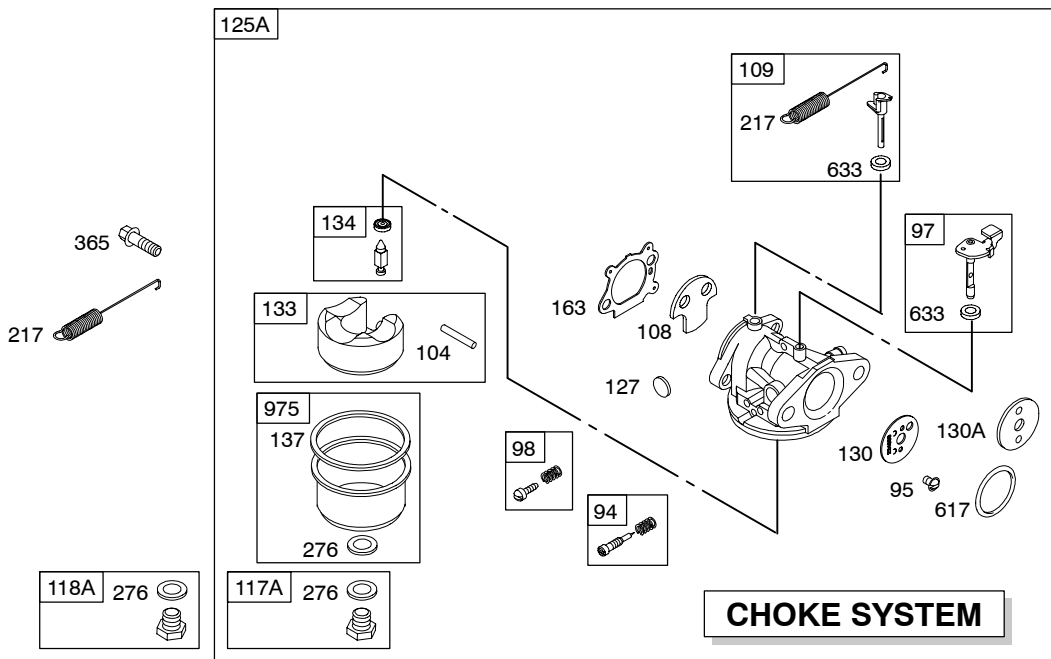
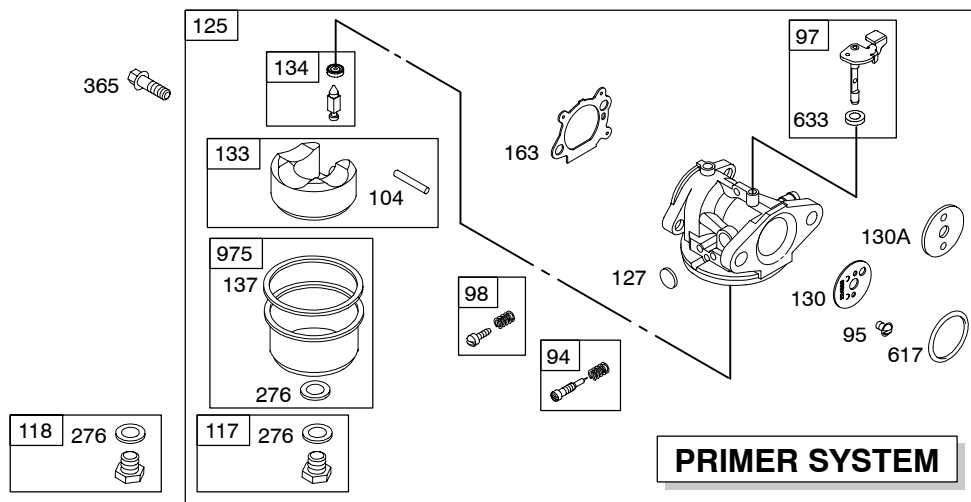
TABLE OF CONTENTS

Alternator	7
Air Cleaner	4
Blower Housing/Shrouds	6
Camshaft	2
Carburetor	3
Controls	5
Crankshaft	2
Cylinder	2
Electric Starter	7
Electrical	7
Engine Sump	2
Exhaust System	4
Flywheel	7
Flywheel Brake	7
Fuel Supply	5
Governor Spring	5
Ignition	7
Kits/Gaskets	2 & 3
Lubrication	2
Piston Group	2
Rewind Starter	6
Valves	2

PRINTED IN U.S.A.



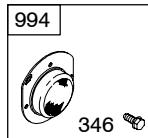
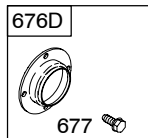
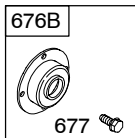
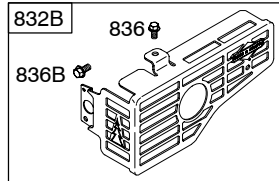
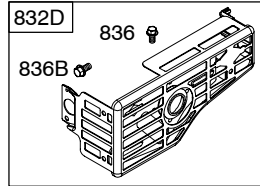
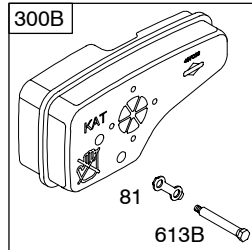
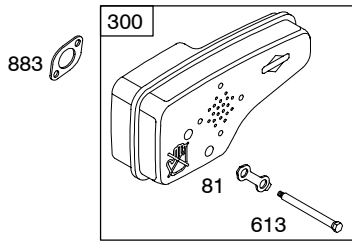
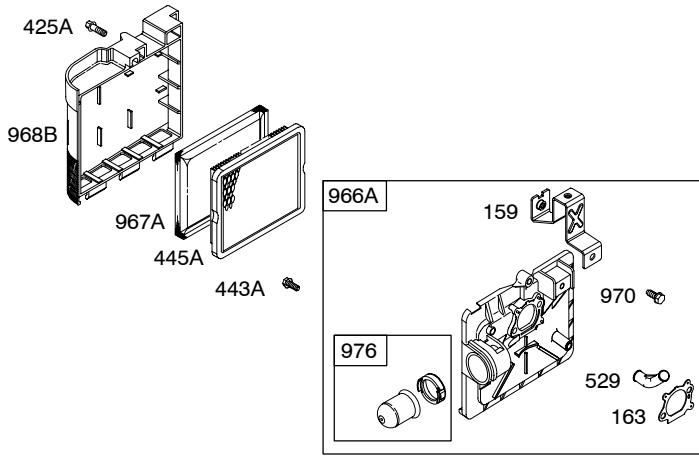
COPYRIGHT by BRIGGS & STRATTON CORPORATION
All rights reserved. No part of this material may be reproduced or transmitted, in any form or by any means, electronic or mechanical, including photocopying, recording or by any information storage and retrieval system, without permission in writing from Briggs & Stratton Corporation.

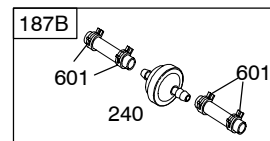
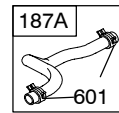
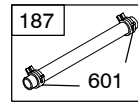
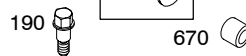
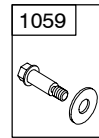
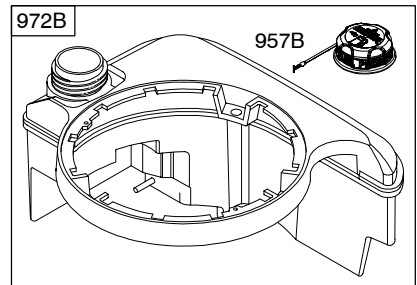
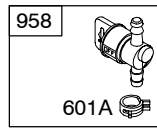
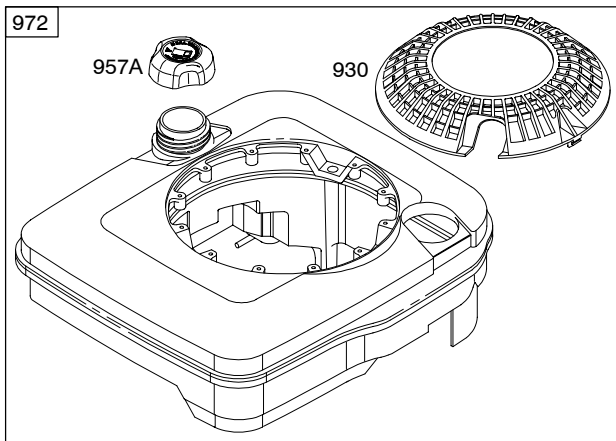


121 CARBURETOR OVERHAUL KIT		
94	134	276
104	137	617
127	163	633
		633A

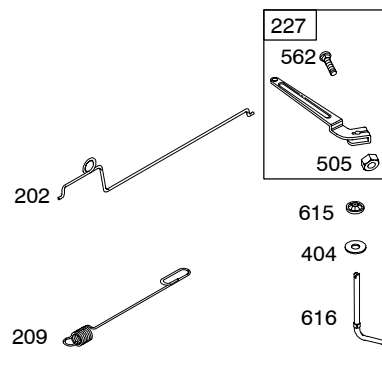
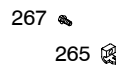
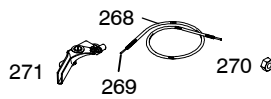
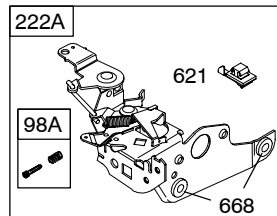
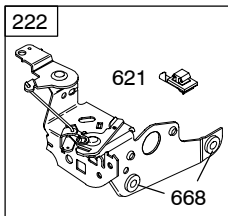
977 CARBURETOR GASKET SET		
137	276	633
163	617	633A

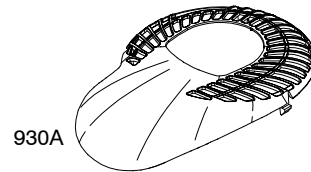
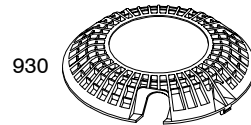
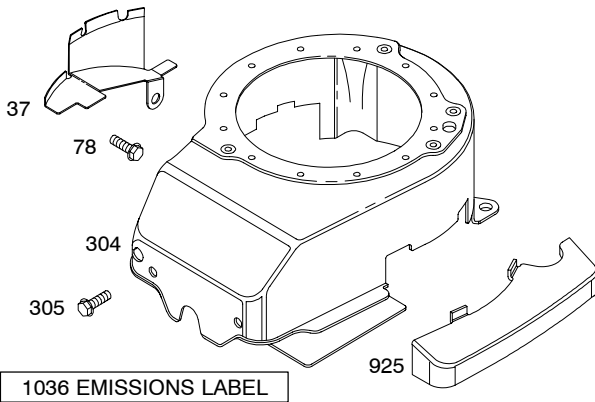
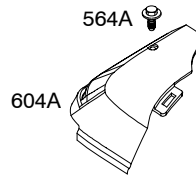
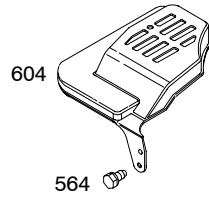
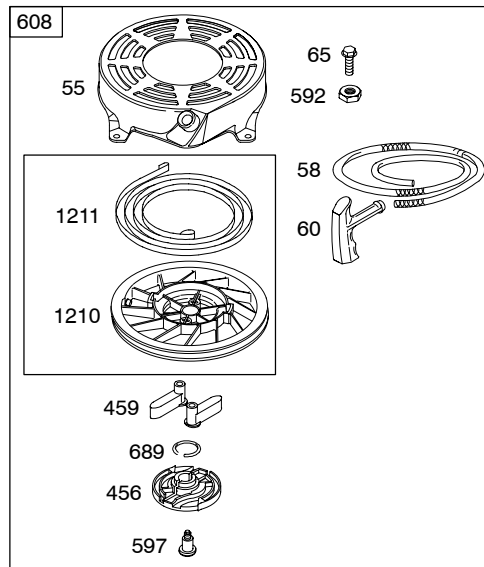
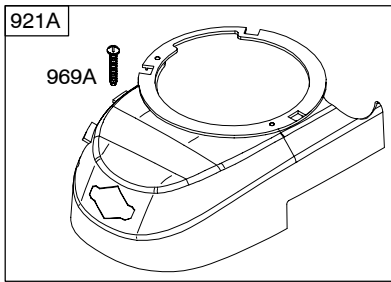
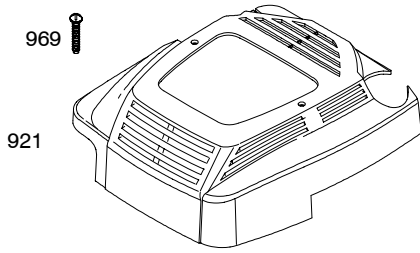
Illustrations cover a range of engines. Parts shown without corresponding text may not be used on your specific engine.
 2271-3 Assemblies include all parts shown in frames. 12/04/2007

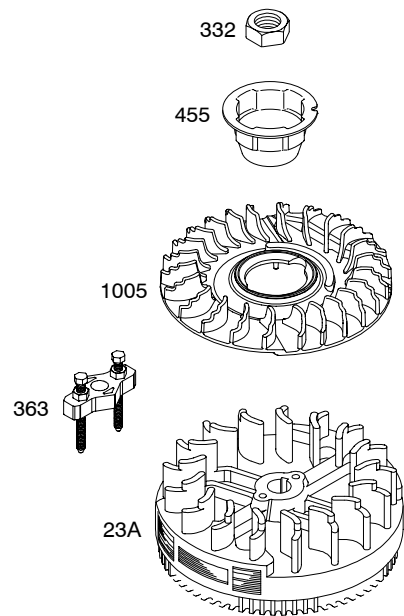
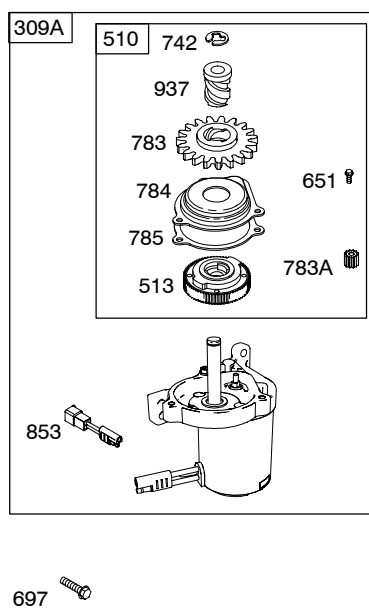
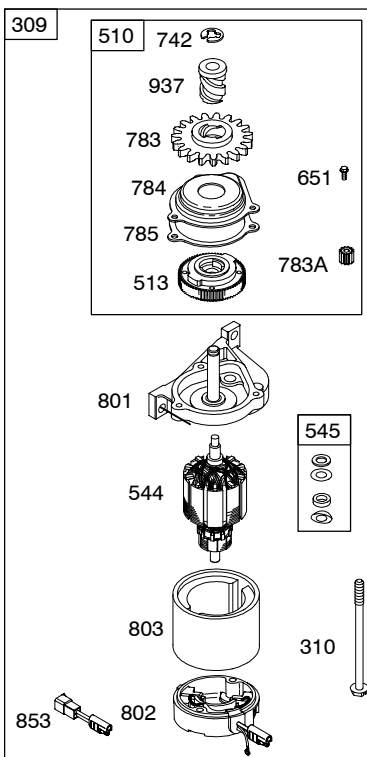
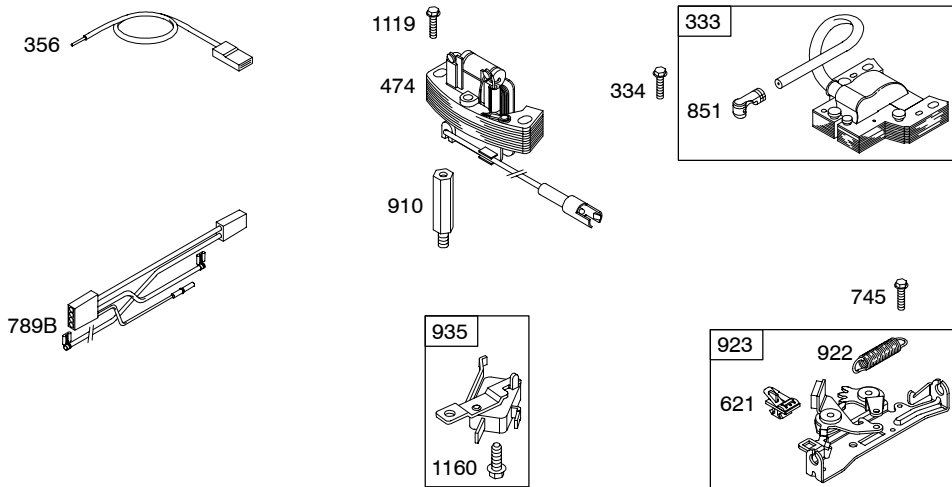




188







12L800

REF. NO.	PART NO.	DESCRIPTION	REF. NO.	PART NO.	DESCRIPTION	REF. NO.	PART NO.	DESCRIPTION
1	697324	Cylinder Assembly	25	795429	Piston Assembly (Standard) (Used After Code Date 07090300).	27	691866	Lock-Piston Pin
2	399269	Kit-Bushing/Seal (Magneto Side)			----- Note -----	28	499423	Pin-Piston (Standard)
3	★299819S	Seal-Oil (Magneto Side)			791096 Piston Assembly (Standard) (Used Before Code Date 07090400).	29	499424	Rod-Connecting (Standard)
4	493279	Sump-Engine			795430 Piston Assembly (.020" Oversize) (Used After Code Date 07090300).	32	691664	Screw (Connecting Rod)
4A	493365	Sump-Engine (Auxilliary PTO)			791325 Piston Assembly (.020" Oversize) (Used Before Code Date 07090400).	32A	695759	Screw (Connecting Rod) (Used After Code Date 00042200).
5	691160	Head-Cylinder			795431 Ring Set (Standard) (Used After Code Date 07090300).	33	262651S	Valve-Exhaust
7	★Ø692249	Gasket-Cylinder Head			----- Note -----	34	262652S	Valve-Intake
8	695250	Breather Assembly			791098 Ring Set (Standard) (Used After Code Date 04031400 and Before Code Date 07090400).	35	691270	Spring-Valve (Intake)
9	★Ø699833	Gasket-Breather			499425 Ring Set (Standard) (Used Before Code Date 04031500).	36	691270	Spring-Valve (Exhaust)
10	94650	Screw (Breather Assembly)			795432 Ring Set (.020" Oversize) (Used After Code Date 07090300).	37	694086	Guard-Flywheel
11	691781	Tube-Breather			791324 Ring Set (.020" Oversize) (Used After Code Date 04102100 and Before Code Date 07090400).	40	692194	Retainer-Valve
12	★692232	Gasket-Crankcase	26	795431	499427 Ring Set (.020" Oversize) (Used Before Code Date 04102200).	43	691997	Slinger-Governor/Oil
13	690912	Screw (Cylinder Head)				45	690548	Tappet-Valve
15	691680	Plug-Oil Drain (Square Socket)				46	691449	Camshaft
15A	691093	Plug-Oil Drain (Hex Socket)				46A	691459	Camshaft
16	691454	Crankshaft				45	690548	Tappet-Valve
		----- Note -----				50	497465	Manifold-Intake
		691451 Crankshaft Used on Type No(s). 0806, 1507, 1508, 1509, 1562.				51	★272199S	Gasket-Intake
		691452 Crankshaft Used on Type No(s). 0805, 1505, 1506, 2304, 2604, 3104.				54	691650	Screw (Intake Manifold)
20	★399781S	Seal-Oil (PTO Side)				55	691421	Housing-Rewind Starter
20A	★691952	Seal-Oil (PTO Side) (Auxiliary PTO)				58	280399S	Rope-Starter (Cut To Required Length)
22	691092	Screw (Crankcase Cover/Sump)				60	281434S	Grip-Starter Rope
23A	691987	Flywheel				65	690837	Screw (Rewind Starter)
		----- Note -----				78	691108	Screw (Flywheel Guard)
		691992 Flywheel Used on Type No(s). 0805, 0806.				81	691740	Lock-Muffler Screw
24	222698S	Key-Flywheel				83	691778	Shaft-Auxiliary Drive
						94	●493765	Kit-Idle Mixture
						95	691636	Screw (Throttle Valve)

★ Included in Engine Gasket Set-Ref. No.358.

● Included in Carburetor Overhaul Kit-Ref. No. 121.

◆ Included in Carburetor Gasket Set-Ref. No. 977.

Ø Included in Valve Gasket Set-Ref. No 1095.

Illustrations cover a range of engines. Parts shown without corresponding text may not be used on your specific engine.

REF. NO.	PART NO.	DESCRIPTION	REF. NO.	PART NO.	DESCRIPTION	REF. NO.	PART NO.	DESCRIPTION
97	493267	Shaft-Throttle (Metal) ----- Note ----- 696565 Shaft-Throttle (Plastic)	121	498260	Kit-Carburetor Overhaul	209	691292	Spring-Governor ----- Note -----
98	398185	Kit-Idle Speed (Carburetor)	125	698444	Carburetor (Primer System)		691835	Spring-Governor
98A	493280	Kit-Idle Speed	125A	498964	Carburetor (Choke System) (Used After Code Date 96060200).			Used on Type No(s). 0805, 0806, 1505, 1506, 1507, 1508.
101	691623	Pin-Shaft			----- Note -----		262663	Spring-Governor
104	691242	Pin-Float Hinge			497353 Carburetor (Choke System) (Used Before Code Date 96060300).			Used on Type No(s). 1509, 1562.
108	691182	Valve-Choke	127	694468	Plug-Welch	217	690354	Spring-Choke Return
109	494218	Shaft-Choke	130	691203	Valve-Throttle ----- Note -----	222	790143	Bracket-Control (Remote/Manual Friction)(Primer)
117	494870	Jet-Main (Standard) (Used After Code Date 02092900). ----- Note ----- 498975 Jet-Main (Standard) (Used Before Code Date 02093000).	130A	691181	Valve-Throttle	222A	692021	Bracket-Control (Remote Choke A Matic, Non Compliance)
117A	498976	Jet-Main (Standard) (Used After Code Date 96060200). ----- Note ----- 496063 Jet-Main (Standard) (Used Before Code Date 96060300).	133	398187	Float-Carburetor	227	690783	Lever-Governor Control
118	497315	Jet-Main (High Altitude) (Used After Code Date 02092900). ----- Note ----- 496495 Jet-Main (High Altitude) (Used Before Code Date 02093000).	134	693981	Kit-Needle/Seal	240	298090S	Filter-Fuel
118A	498977	Jet-Main (High Altitude) (Used After Code Date 96060200). ----- Note ----- 497315 Jet-Main (High Altitude) (Used Before Code Date 96060300).	137	690979	Gasket-Float Bowl	265	690798	Clamp-Casing
			146	691753	Bracket-Air Cleaner Primer	267	691044	Screw (Casing Clamp)
			163★◆	272653	Gasket-Air Cleaner	268	691025	Casing-Control Wire (Cut to Required Length)
			187	791766	Line-Fuel (Cut to Required Length)	269	691026	Wire-Control (Cut to Required Length)
			187A	791873	Line-Fuel (Molded)	270	691027	Nut (Control Wire Casing)
			187B	791891	Line-Fuel (Includes Filter) (Used After Code Date 05063000). ----- Note ----- 692042 Line-Fuel (Includes Filter) (Used Before Code Date 05070100).	271	691028	Lever-Control
			188	690877	Screw (Control Bracket)	276◆◆	271716	Washer-Sealing
			190	690940	Screw (Fuel Tank)	287	690940	Screw (Dipstick Tube)
			202	691829	Link-Mechanical Governor	300	496106S	Muffler (Tuned)
						300B	497681	Muffler (Catalyst)
						304	493293	Housing-Blower ----- Note ----- 493294 Housing-Blower
								Used on Type No(s). 0805, 0806.

★ Included in Engine Gasket Set-Ref. No.358.

● Included in Carburetor Overhaul Kit-Ref. No. 121.

◆ Included in Carburetor Gasket Set-Ref. No. 977.

⊘ Included in Valve Gasket Set-Ref. No 1095.

Illustrations cover a range of engines. Parts shown without corresponding text may not be used on your specific engine.

12L800

REF. NO.	PART NO.	DESCRIPTION	REF. NO.	PART NO.	DESCRIPTION	REF. NO.	PART NO.	DESCRIPTION
305	691108	Screw (Blower Housing)	513	692358	Clutch-Drive	668	★493823	Spacer
306	690450	Shield-Cylinder	523	499621	Dipstick	670	692294	Spacer-Fuel Tank
307	690345	Screw (Cylinder Shield)	524	★692296	Seal-Dipstick Tube	676B	397931	Deflector-Muffler (Includes Spark Arrestor)
309	695550	Motor-Starter (Used Before Code Date 07052900).	525	495265	Tube-Dipstick	676D	497682	Deflector-Muffler (For TUV)
309A	795092	Motor-Starter (Used After Code Date 07052800).	529	691923	Grommet	677	690661	Screw (Muffler Deflector)
310	692327	Bolt (Starter Motor)	544	690786	Armature-Starter	684	690345	Screw (Breather Passage Cover)
332	690662	Nut (Flywheel)	545	492919	Washer Set (Starter Motor)	689	691855	Spring-Friction
333	802574	Armature-Magneto	562	691119	Bolt (Governor Control Lever)	697	691127	Screw (Drive Cap)
334	691061	Screw (Magneto Armature)	564	691132	Screw (Control Cover)	715	691147	Screw (Shaft Stop)
337	802592S	Plug-Spark	564A	691142	Screw (Control Cover)	718	690959	Pin-Locating
346	690661	Screw (Spark Arrestor)	584	697734	Cover-Breather Passage	721	690449	Stop-Shaft
356	692390	Wire-Stop	585	★691879	Gasket-Breather Passage	741	794388	Gear-Timing (Use Without Woodruff Key)
358	497316	Gasket Set-Engine	592	690800	Nut (Rewind Starter)			(Use Without Woodruff Key)
363	19069	Flywheel Puller	597	691696	Screw (Pawl Friction Plate)			(Used After Code Date 07093000).
365	691688	Screw (Carburetor)	601	791850	Clamp-Hose			----- Note -----
374	691074	Washer (Camshaft)	601A	691038	Clamp-Hose			790345 Gear-Timing (Use Without Woodruff Key)
383	89838S	Wrench-Spark Plug	604	691757	Cover-Control			(Used Before Code Date 07100100).
404	690272	Washer (Governor Crank)	604A	691344	Cover-Control			691830 Gear-Timing (Uses Woodruff Key)
425A	690670	Screw (Air Cleaner Cover)	608	497680	Starter-Rewind			
443A	692523	Screw (Air Cleaner Primer Base)	613	691340	Screw (Muffler)			
445A	491588S	Filter-Air Cleaner Cartridge	613B	691114	Screw (Muffler)			
455	791960	Cup-Flywheel	615	690340	Retainer-Governor Shaft	742	93941	Retainer-E Ring
456	692299	Plate-Pawl Friction	616	698801	Crank-Governor	743	691772	Gear-Drive
459	281505S	Plate-Ratchet	617★◆270344	Seal-O Ring (Intake Manifold)	745	691648	Screw (Brake)	
474	691991	Alternator	621	692310	Switch-Stop	783	691918	Gear-Pinion (19 Teeth)
505	691251	Nut (Governor Control Lever)	633	◆691321	Seal-Choke/Throttle Shaft	783A	691269	Gear-Pinion (12 Teeth)
510	795093	Drive-Starter	633A	◆693867	Seal-Choke/Throttle Shaft	784	795095	Cover-Starter Gear
			635	66538S	Boot-Spark Plug	785	692352	Gasket-Starter Cover
			651	691660	Screw (Starter Gear Cover)	789B	696547	Harness-Wiring
						801	690782	Cap-Drive

★ Included in Engine Gasket Set-Ref. No.358.

● Included in Carburetor Overhaul Kit-Ref. No. 121.

◆ Included in Carburetor Gasket Set-Ref. No. 977.

⊘ Included in Valve Gasket Set-Ref. No 1095.

Illustrations cover a range of engines. Parts shown without corresponding text may not be used on your specific engine.

REF. NO.	PART NO.	DESCRIPTION	REF. NO.	PART NO.	DESCRIPTION	REF. NO.	PART NO.	DESCRIPTION
802	695267	Cap-End (Used After Code Date 00040600). ----- Note ----- 695975 Cap-End (Used Before Code Date 00040700).	883	★∅691881	Gasket-Exhaust	972	699392	Tank-Fuel (Plastic)
803	695266	Housing-Starter (Used After Code Date 00040600). ----- Note ----- 695975 Housing-Starter (Used Before Code Date 00040700).	910	691094	Stud (Alternator)	972B	699374	Tank-Fuel (Plastic)
832B	497683	Guard-Muffler (Catalyst)	921	497233	Cover-Blower Housing	975	493640	Bowl-Float
832D	499034	Guard-Muffler (Tuned)	921A	695886	Cover-Blower Housing	976	694395	Primer-Carburetor
836	690664	Screw (Muffler Guard)	922	691831	Spring-Brake	977	498261	Gasket Set-Carburetor
836B	691147	Screw (Muffler Guard)	923	691994	Brake	994	398067	Arrestor-Spark
842	★691031	Seal-O Ring (Dipstick Tube)	925	795403	Cover-Linkage (Used After Code Date 07072200). ----- Note ----- 690595 Cover-Linkage (Used Before Code Date 07072300).	1005	691346	Fan-Flywheel
847	692047	Dipstick/Tube Assembly	930	691919	Guard-Rewind	1019	494256	Kit-Label
851	493880S	Terminal-Spark Plug	930A	691345	Guard-Rewind	1036		Label-Emissions (Available From A Briggs & Statton Authorized Dealer)
853	695268	Adapter-Wire	935	499421	Switch-Interlock	1058	277039	Operator's Manual
868	697338	Seal-Valve	937	691325	Spline-Starter	1059	692311	Kit-Screw/Washer
869	691155	Seat-Valve (Intake)	957A	692046	Cap-Fuel Tank (Plastic)	1095	498528	Gasket Set-Valve
870	690380	Seat-Valve (Exhaust)	957B	699985	Cap-Fuel Tank (Plastic)	1119	691648	Screw (Alternator)
871	262001	Bushing-Valve Guide (Exhaust) ----- Note ----- 63709 Bushing-Valve Guide	958	698183	Valve-Fuel Shut Off (Plastic)	1160	690345	Screw (Interlock Switch)
			966A	496116	Base-Air Cleaner Primer	1210	498144	Pulley/Spring Assembly (Pulley)
			967A	493537S	Filter-Pre Cleaner	1211	498144	Pulley/Spring Assembly (Spring)
			968B	692298	Cover-Air Cleaner	1319	794467	Label-Warning
			969	690700	Screw (Blower Housing Cover)	1330	270962	Manual-Repair
			969A	691138	Screw (Blower Housing Cover)			
			970	691669	Screw (Air Cleaner Primer Bracket)			

★ Included in Engine Gasket Set-Ref. No.358.

● Included in Carburetor Overhaul Kit-Ref. No. 121.

◆ Included in Carburetor Gasket Set-Ref. No. 977.

∅ Included in Valve Gasket Set-Ref. No 1095.

Illustrations cover a range of engines. Parts shown without corresponding text may not be used on your specific engine.